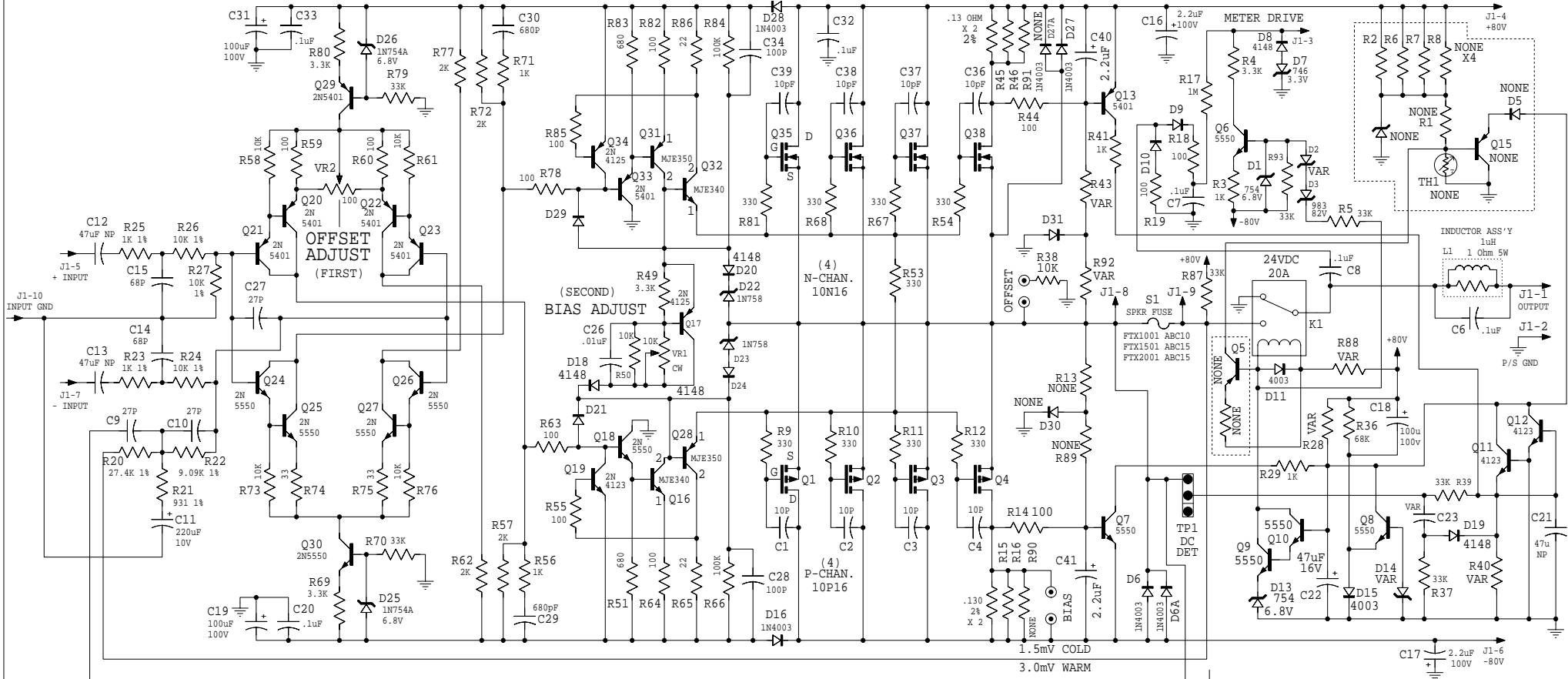


DCN	DATE	SCH REV	PCB REV	DESCRIPTION
X	5-9-97	9002-A	9002-1	SWITCHED BACK TO TO-3 OUTPUT DEVICES! MOST REFDES REMAIN SAME AS BEFORE
407	6-27-97	B	1	CHANGED C9 TO 27P
446	8-20-98	C	3	DELETED R89-R13-D30 TO IMPROVE THD

**ASHLY**  
 ASHLY AUDIO INC.  
 847 HOLT ROAD  
 WEBSTER, NY 14580-9103

DRAWING NO.	10S9002.C.SCH	REV.	C
DRAWN:	G.G.	DATE:	8-20-98
APPROVED:		DATE:	
SCALE:	NONE	SHEET	1 OF 1

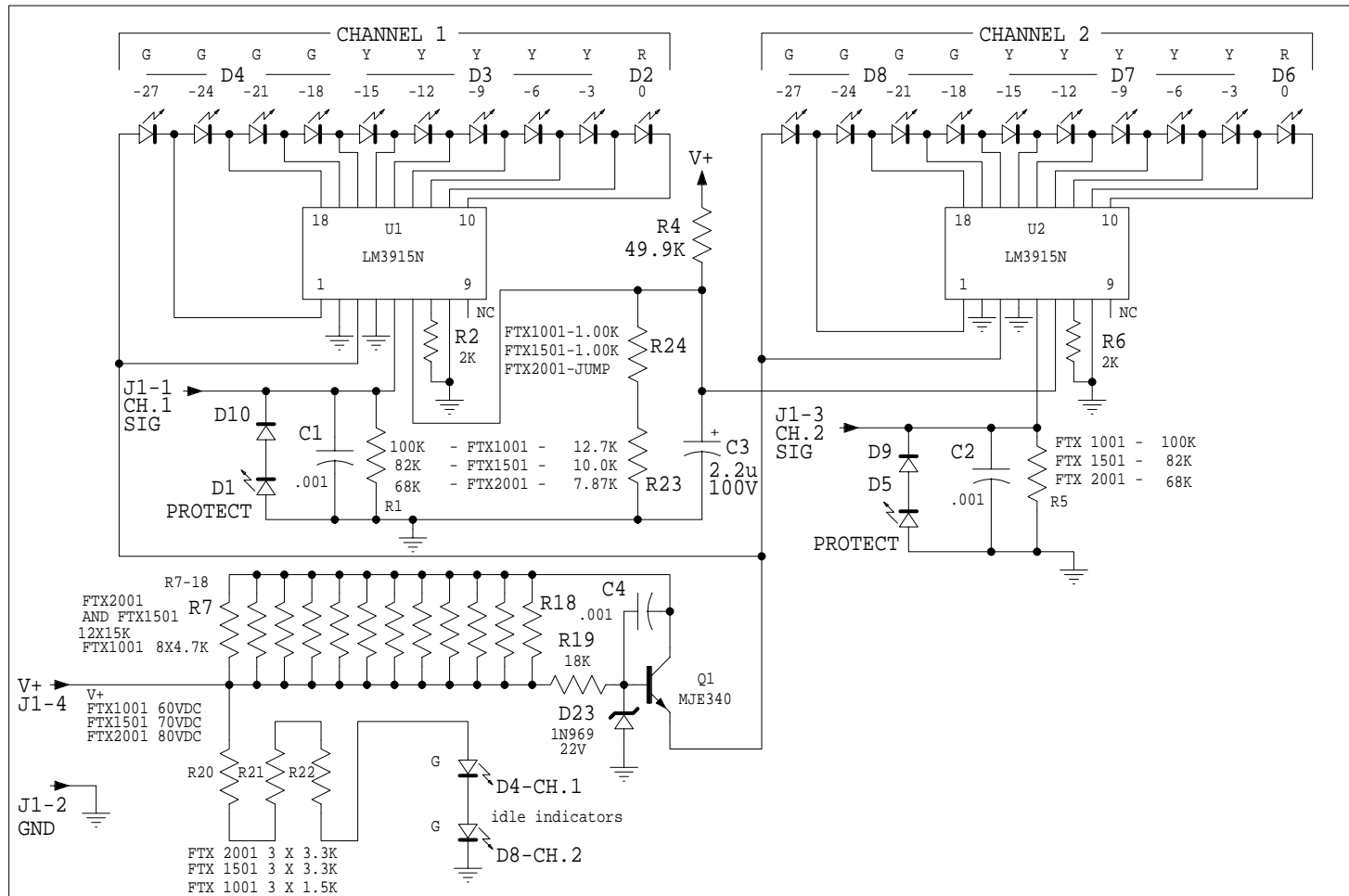
SCHEMATIC DIAGRAM  
 FTX SERIES III, CFT1800  
 POWER AMPLIFIER MODULE CARD



All Diodes 1N3070 Unless Otherwise Noted  
 All Resistors 1/4W 5% Unless Otherwise Noted  
 2N5550 May Be Substituted By 2N5551

OUTPUT DEVICES USED: FTX1001 - Q1-Q4-Q35-Q38  
 FTX1501 - Q1-Q2-Q4-Q35-Q37-Q38  
 FTX2001 - ALL

VARIABLES:	FTX1001	FTX1501	FTX2001
R28	300K	300K	470K
R40	10K	4.7K	3.3K
R43	18K	18K	22K
R88	910/2W	910/2W	1.2K/3W
R92	4.7K	4.7K	6.8K
C23	39PF	68PF	68PF
D2	JUMP	1N758 (10V)	1N969 (22V)
D14	1N969	1N971 (27V)	1N973 (33V)

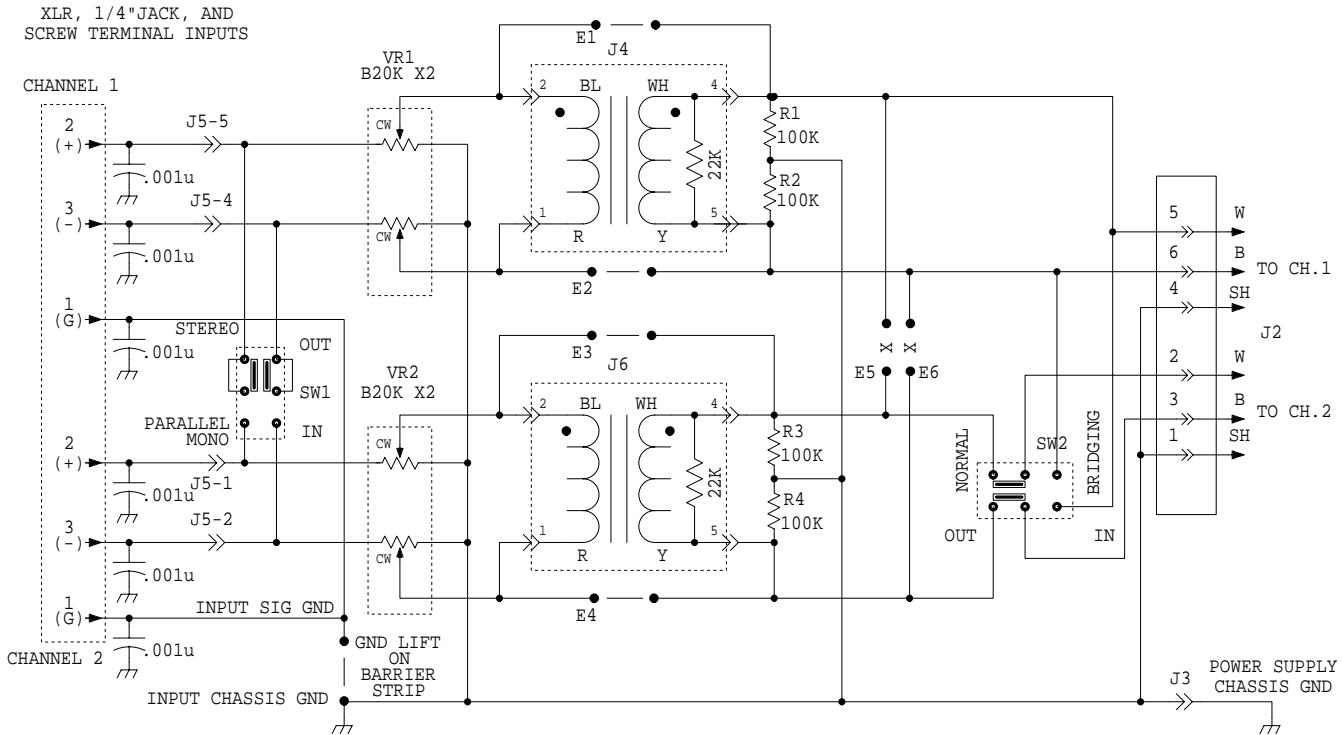


<b>ASHLY</b>	ASHLY AUDIO INC. 847 HOLT ROAD WEBSTER, NY 14580-9103		DRAWING NO. 10S9124C.SCH		REV. C
	DRAWN: JRD		DATE: 7-16-96		
SCHEMATIC DIAGRAM METER CARD FTX/CFT SERIES II AMPS			APPROVED:		DATE:
			SCALE:	SHEET 1 OF 1	

DCN	DATE	SCH REV	PCB REV	DESCRIPTION
X	4/94	A	0	ADDED PROTECT LED'S
0314	7/95	B	0	CHANGED R19 FROM 10K TO 18K
360	7/96	C	3	ADDED D9 AND D10 IN SERIES WITH PROTECT LED'S

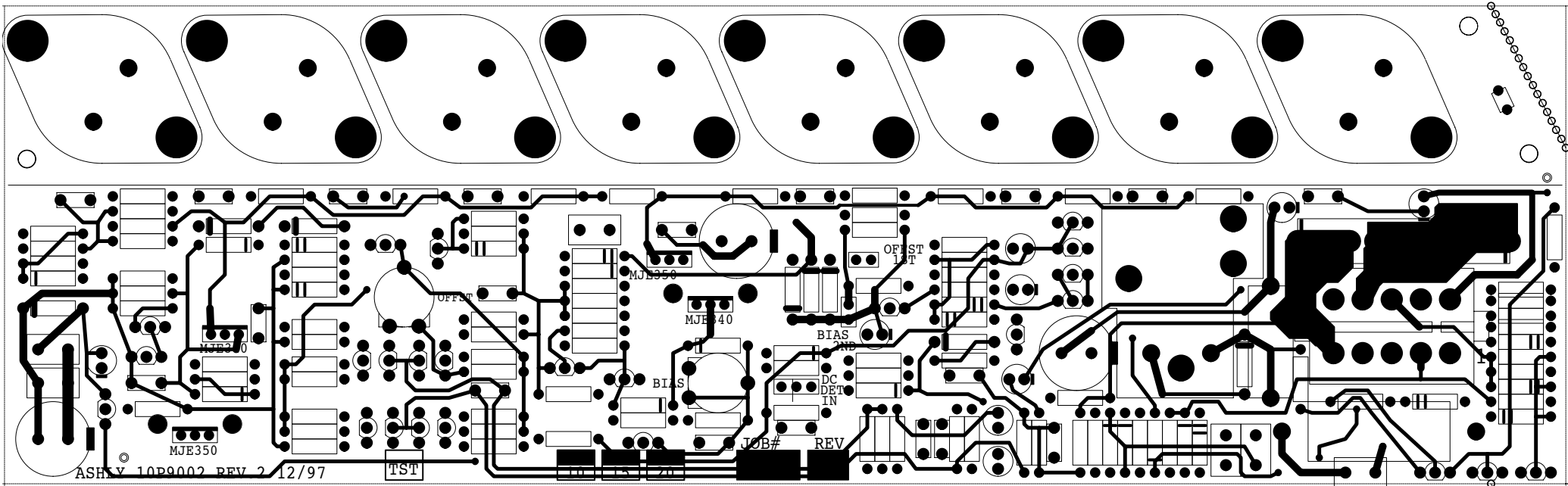
<b>ASHLY</b>	ASHLY AUDIO INC. 847 HOLT ROAD WEBSTER, NY 14580-9103	DRAWING NO. 10S9074A.SCH	REV. A
		DRAWN: JD	DATE: 4/27/94
SCHEMATIC DIAGRAM STANDARD AMPLIFIER INPUT OPTIONAL INPUT TRANSFORMER SHOWN		APPROVED:	DATE:
		SCALE:	SHEET OF

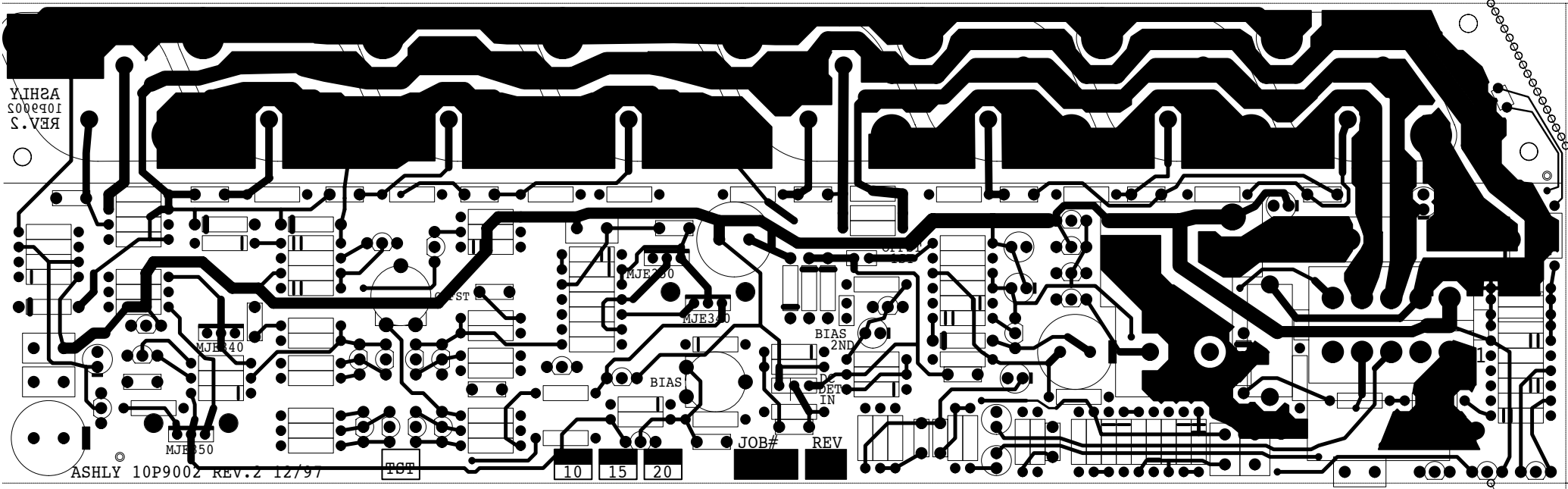
DCN	DATE	SCH REV	PCB REV	DESCRIPTION
X	4/94	A	0	INITIAL AI RELEASE WITH PARALLEL MONO MODE AND RF BYPASS CAPS



**TRANSFORMER INSTALLATION:**

OPERATING MODE	CUT OUT JUMPERS	INSTALL JUMPERS
NORMAL STEREO	E1, E2, E3, E4	NONE
PARALLEL MONO - DUAL LEVEL CONTROL (CH.1 INPUT / SEPERATE LEVEL CONTROLS / BOTH TRANSFORMERS NEEDED)	E1, E2, E3, E4	NONE
PARALLEL MONO - SINGLE LEVEL CONTROL (CH.1 INPUT / CH.1 LEVEL CONTROL ONLY / CH.1 TRANSFORMER ONLY)	E1, E2, E3, E4	E5, E6
MONO BRIDGED (CH.1 INPUT / CH.1 LEVEL CONTROL ONLY / CH.1 TRANSFORMER ONLY)	E1, E2, E3, E4	NONE





REV. 2  
10P9002  
ASHLY

ASHLY 10P9002 REV.2 12/97

TOT

10 15 20

JOB# REV

